



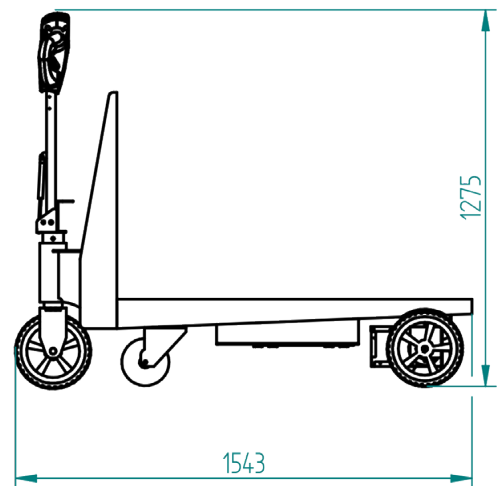
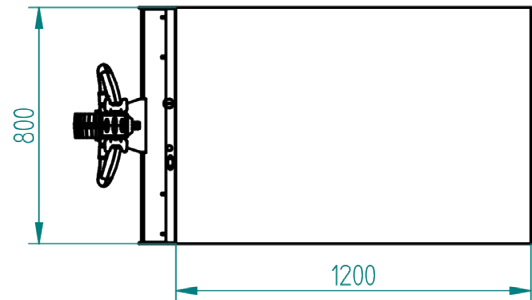
**DATASHEET**  
**Movexx P300 800 x 1200**



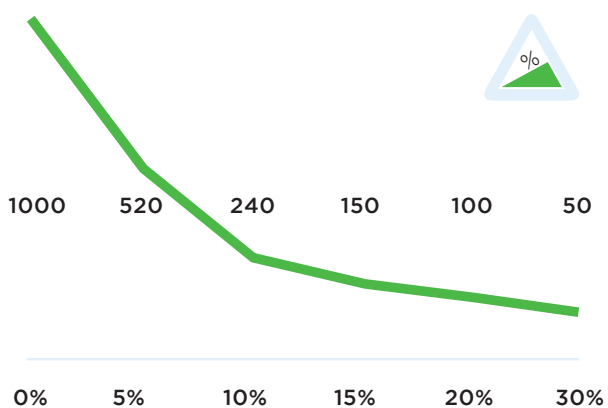
## Specifications P300 800 x 1200

Frame	Steel, powder coated
Drive	24V DC, 300W, 100 rpm
Weight	115 kg
Loading capacity	750 kg
Battery	Built in
Speed	Max. 5 km/h
Drive wheels	Full rubber ø250x80 mm
Width	800mm
Length	1543mm
Adze height	700-1275mm
Folded	N/A
Noise level	63,8 dB
To use from	-40 °C / 70 °C
Protection class	Machine IP44

## Dimensions P300 800 x 1200



## Pulling power P300 800 x 1200 (in kg)



\*Measured with a trolley with 2 swivelwheels and 2 fixed castors. Wheel diameter: 160mm

## Standard P300 800 x 1200



## Standard parts P300 800 x 1200

LED battery indicator  
LBF318-24V



Item number:  
M0123

Charger 24V 5A incl.  
charging cable



Item number:  
OPT0009

Full-rubber drive  
wheel, black  
Ø250mm



Dimensions Ø250 x 80  
mm

Item number:  
M0248

Adjustable tillerhead



Item number:  
Standardpart 1

Safety switch



Item number:  
Standardpart 2

2 programmable  
speeds



Item number:  
Standardpart 3

## Standard parts P300 800 x 1200

Motor T1000, without  
brake



Item number:  
M1032

Battery 12V 22 Ah  
AGM



Item number:  
M0076

## Options P300 800 x 1200



**Battery charger 24V  
5A AGM external indi**

Article number:  
M0246



**Battery Lithium-LiFe-  
PO4, 36Ah GREEN**

Article number:  
OPT0106



**Battery upgrade to  
Lithium-LiFePO4,  
36Ah**

*iso AGM Battery (!) Inclu-  
ding upgrade to lithium  
charger 10A*

Article number:  
OPT0107



**Batterie AGM 22Ah**

Article number:  
OPT0110-RAL6018



**Upgrade Nonmarking  
tires (3) yellow CR**

Article number:  
OPT0356



**Upgrade Nonmarking  
tires (3) grey**

Article number:  
OPT0358



**Electromagnetic par-  
kingbrake T1000**

Article number:  
OPT0004



**Horn 90dB**

Article number:  
OPT0045



**Emergency stop  
complete**

Article number:  
OPT0063



**Strobelight**

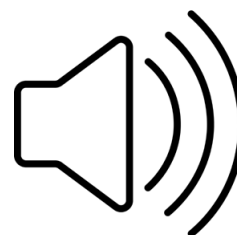
Article number:  
OPT0065



**Safety fender for  
steering wheel**

*Wheel Shield*

Article number:  
OPT0079



**Acoustic signal dri-  
ving backwards**

Article number:  
OPT0254

## Options P300 800 x 1200

### hour counter complete



Article number:  
OPT0056

### Horn 90dB



Article number:  
OPT0057

### Antistatic strip



Article number:  
OPT0058

### Code lock



Article number:  
OPT0068

### Ignition key unequal key



Article number:  
OPT0145

### Ignition key equal key 701



Article number:  
OPT0146

### Customized programming



*please indicate specific settings*

Article number:  
OPT0170

### Programmer for Italsea



Article number:  
D0003

### Wall mounted Charger, for AGM battery



*Complete charger-unit including AGM battery charger (5 Ah)*

Article number:  
OPT0015

### Charging Station for 1 Lithium battery



*Wallmounting charger-station with lithium battery charger 29,2 V, 10 A*

Article number:  
OPT0023

### Charging station for 5 Lithium batteries



*Upright standing charging station with five separate lithium battery chargers 29,2 V, 10 A*

Article number:  
OPT0029

### Charging station for 5 batteries



*Upright standing charging station with five separate AGM battery chargers 24 V, 5 A*

Article number:  
OPT0039

## Options P300 800 x 1200



### Frame for charging station

*for wall mounting, Excluding charger (!)*

Article number:  
OPT0261



### Pen for Drawbar Ø16 incl. Backplate

Article number:  
H0064



### Towbar + pin Ø15mm incl. Back plate

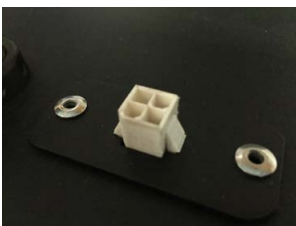
Article number:  
H0071



### Spring hitch

*Pin 16 mm.*

Article number:  
H0120



### Diagnostic connector

Article number:  
OPT0270



## Movexx International B.V.

Generatorstraat 17

3903 LH Veenendaal

Tel +31 (0)318 51.99.00

Fax +31 (0)318 50.80.20

E-mail [info@movexx.nl](mailto:info@movexx.nl)