



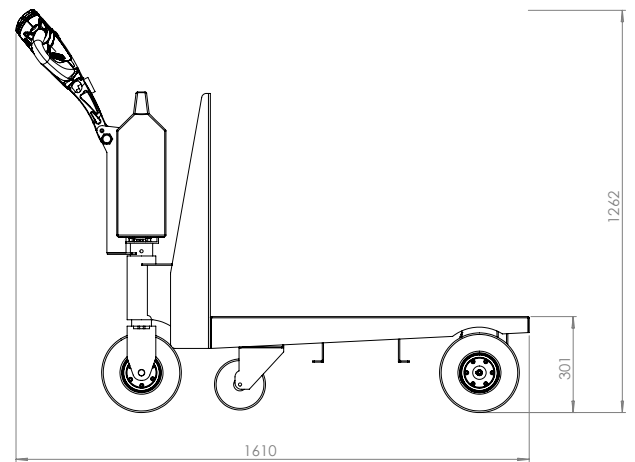
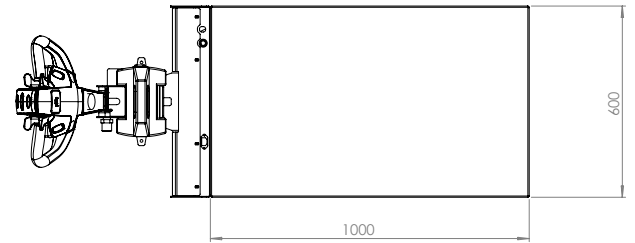
DATASHEET
Movexx P300 600 x 1000



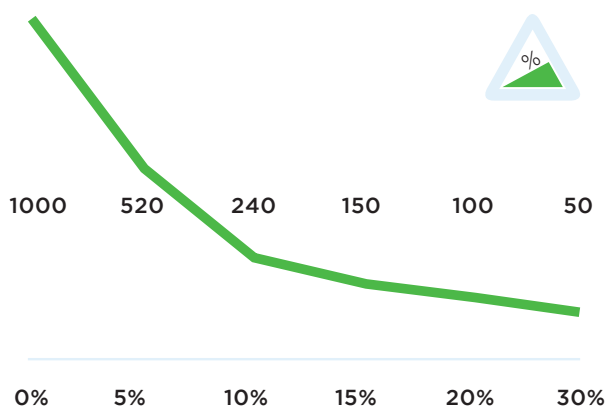
Specifications P300 600 x 1000

Frame	Steel, powder coated
Drive	24V DC, 300W, 100 rpm
Weight	85 kg
Loading capacity	300 kg
Battery	Built in
Speed	Max. 5 km/h
Drive wheels	Full rubber ø250x80 mm
Width	600mm
Length	1610mm
Adze height	750-1360mm (variable)
Folded	750mm
Noise level	63,8 dB
To use from	-40 °C / 70 °C
Protection class	Machine IP44

Dimensions P300 600 x 1000



Pulling power P300 600 x 1000 (in kg)



*Measured with a trolley with 2 swivelwheels and 2 fixed castors. Wheel diameter: 160mm

Standard P300 600 x 1000



Standard parts P300 600 x 1000

LED battery indicator
LBF318-24V



Item number:
M0123

Battery charger 24V
5A AGM external indi



Item number:
M0246

Full-rubber drive wheel, black
Ø250mm



Dimensions Ø250 x 80
mm

Item number:
M0248

Adjustable tillerhead



Item number:
Standardpart 1

Standard parts P300 600 x 1000

Motor T1000, without
brake



Item number:
M1032

Battery 12V 22 Ah
AGM



Item number:
M0076

Safety switch



Item number:
Standardpart 2

2 programmable
speeds



Item number:
Standardpart 3

Options P300 600 x 1000



Batterie AGM 22Ah

Article number:
OPT0110-RAL6018



Electromagnetic parking brake T1000

Article number:
OPT0004



Horn 90dB

Article number:
OPT0045



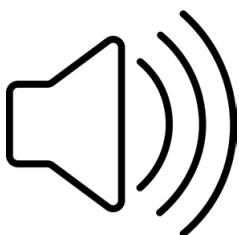
Emergency stop complete

Article number:
OPT0063



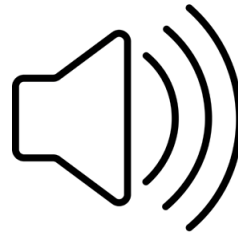
Strobelight cast iron tiller head

Article number:
OPT0076



Acoustic signal while driving

Article number:
OPT0253



Acoustic signal driving backwards

Article number:
OPT0254



hour counter complete

Article number:
OPT0056



Antistatic strip

Article number:
OPT0058



Code lock

Article number:
OPT0068



Document holder

Article number:
OPT0127



Ignition key unequal key

Article number:
OPT0145

Options P300 600 x 1000

Ignition key equal key 701



Article number:
OPT0146

Customized programming



please indicate specific settings

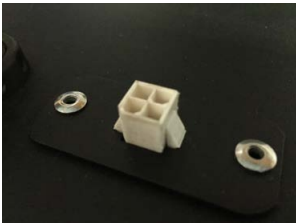
Article number:
OPT0170

Programmer for Ital-sea



Article number:
D0003

Diagnostic connector



Article number:
OPT0270



Movexx International B.V.

Generatorstraat 17

3903 LH Veenendaal

Tel +31 (0)318 51.99.00

Fax +31 (0)318 50.80.20

E-mail info@movexx.nl