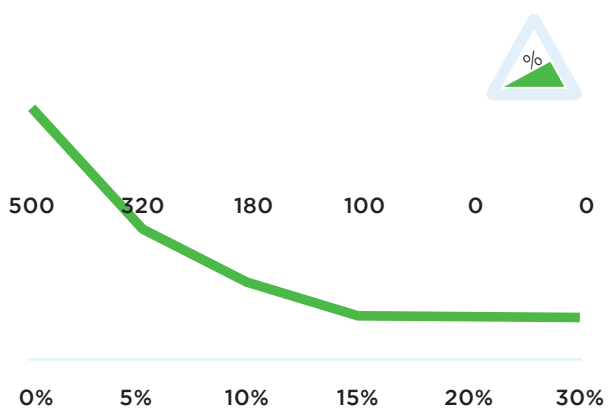




Specifications **BM500R-FFC**

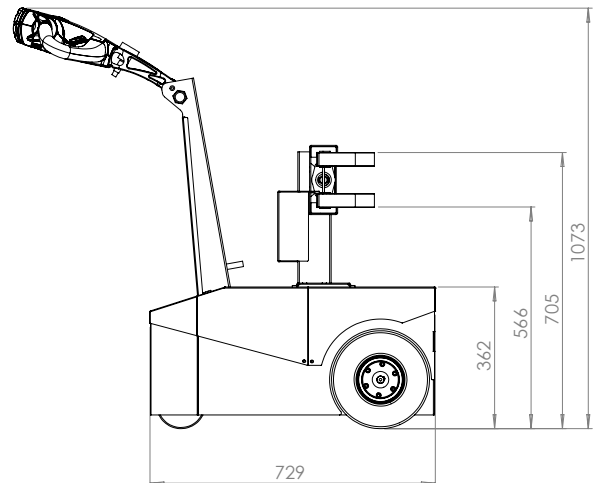
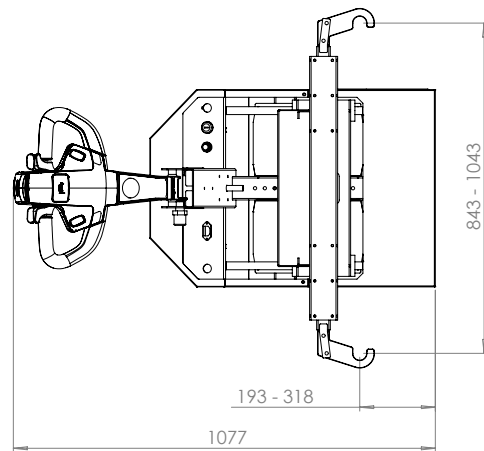
Frame	Steel, powder coated, RAL9007 (Gray Aluminium)
Drive	24V DC, 300W, 100 rpm
Weight	200 kg
Weight trailer	Max. 500 kg
Battery	Built in, 24 V, 22 Ah
Speed	Max. 5 km/h, freely programmable
Drive wheels	Full rubber $\varnothing 250 \times 80$ mm
Width	360 mm
Length	951 mm
Adze height	750-1200 mm (variable)
Folded	770 mm
Noise level	63,8 dB
To use from	-40 °C / 70 °C
Protection class	Machine IP44
Hookposition	Headboard of footboard

Pulling power **BM500R-FFC** (in kg)



*Measured with a trolley with 2 swivelwheels and 2 fixed castors. Wheel diameter: 160mm

Dimensions **BM500R-FFC**



Standard **BM500R-FFC**



Standard parts **BM500R-FFC**

Charger 24V 5A incl. charging cable



Item number:
OPT0009

Emergency Button NC Ø 22 mm incl. Cable



Item number:
M0130

Adjustable tillerhead



Item number:
Standardpart 1

Safety switch



Item number:
Standardpart 2

2 programmable speeds



Item number:
Standardpart 3

Standard parts **BM500R-FFC**

Motor 300W 100RPM with brake



Item number:
M1033

LED battery indicator LBF318-24V



Item number:
M0123

Options BM500R-FFC



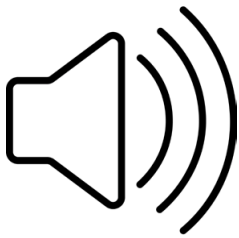
Horn 90dB

Article number:
OPT0045



Emergency stop complete

Article number:
OPT0063



Acoustic signal driving backwards

Article number:
OPT0254



hour counter complete

Article number:
OPT0056



Antistatic strip

Article number:
OPT0058



Code lock

Article number:
OPT0068



Ignition key unequal key

Article number:
OPT0145



Ignition key equal key 701

Article number:
OPT0146



Customized programming

please indicate specific settings

Article number:
OPT0170



Towbar + pin Ø15mm incl. Back plate

Article number:
H0071



Hook Bedmover Diameter 30

Article number:
H0140



Hook Bedmover square 38

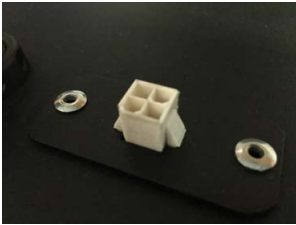
Article number:
H0141

Options BM500R-FFC



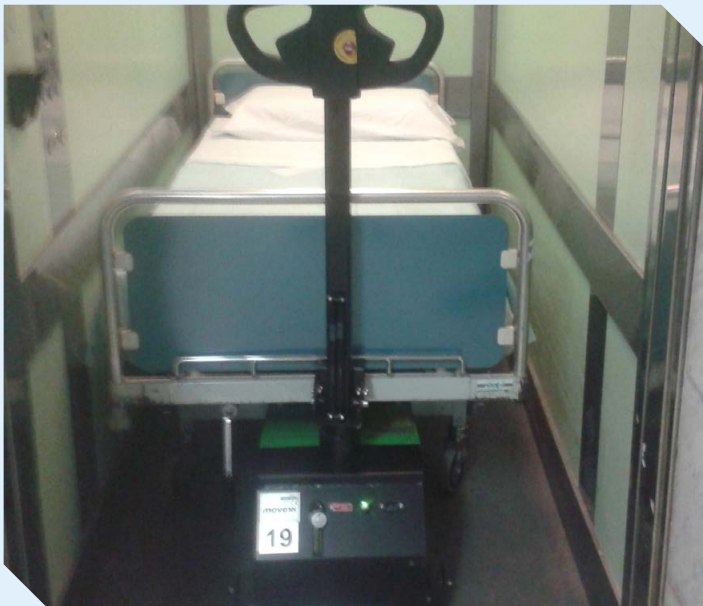
Hook 70 mm

Article number:
H0142



Diagnostic connector

Article number:
OPT0270



Movexx International B.V.

Generatorstraat 17

3903 LH Veenendaal

Tel +31 (0)318 51.99.00

Fax +31 (0)318 50.80.20

E-mail info@movexx.nl